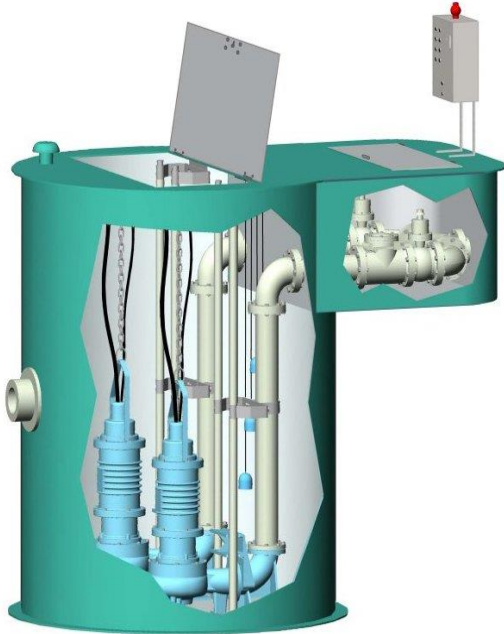


AUTOMATIC ROTO-PHASE FOR SEWAGE LIFT STATION



Roto-Phase Converter



* SPECIFY 208V, 230V, 460V

* CONTINUOUS OPERATING DUTY CYCLE

* ALL UNITS ARE TEFC DESIGNED

* 5-YEAR WARRANTY

The "Automatic Series" Roto-Phase is engineered for remote or unmanned applications where the three-phase equipment load is operating on demand with devices such as a pressure switch, float switch, or timer. The control system of the phase converter makes the installation easy and allows for the interface with the controls a simplex, duplex, or triplex pump application. The phase converter's control panel comes equipped with a built-in magnetic starter, OL Protection, and time-delay relay for the Roto-Phase. The time-delay relay of the Roto-Phase converter provides a starting cycle time of 5-7 seconds for the phase converter prior to the start-up of the three-phase equipment.

MODEL	"ALTERNATING ONLY" PUMP MODE
CMG	(2) 1 HP MOTORS
CM	(2) 3 HP MOTORS
CA	(2) 5 HP MOTORS
CR	(2) 7.5 HP MOTORS
CB	(2) 10 HP MOTORS
CC	(2) 15 HP MOTORS
CG	(2) 20 HP MOTORS
CP	(2) 25 HP MOTORS
CS	(2) 30 HP MOTORS

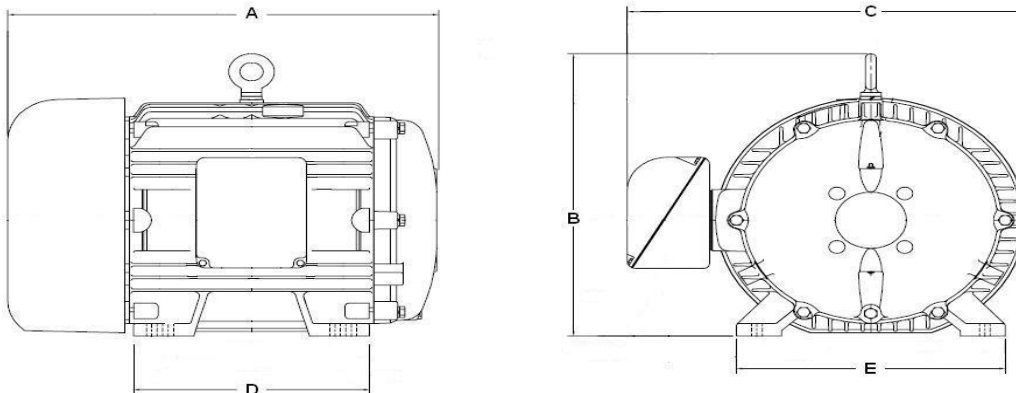
MODEL	"LEAD-LAG" PUMP MODE
DBM	(2) 1.5 HP MOTORS
DBH	(2) 2 HP MOTORS
DBA	(2) 3 HP MOTORS
DBR	(2) 5 HP MOTORS
DBB	(2) 7.5 HP MOTORS
DBC	(2) 10 HP MOTORS
DBG	(2) 15 HP MOTORS
DBP	(2) 20 HP MOTORS
DBS	(2) 25 HP MOTORS

ARCO ELECTRIC PRODUCTS

2325 E. Michigan Road - Shelbyville, IN 46176-3400
 Phone Toll-Free (800) 428-4370, (317) 398-9713 Fax (317) 398-2655

Website: www.arco-electric.com

"We set the standards others strive to meet."



SPECIFICATIONS

MODELS	A	B	C	D	E	PANEL	+ ENCLOSURE WEIGHT	APPROXIMATE WT.
CMG	16.00"	13.00"	13.00"	8.00"	10.00"	18x18x10	ND3 130LBS	120
CM, DBM	16.00"	13.00"	13.00"	8.00"	10.00"	18x18x10	ND3 130 LBS	150
DBH	17.00"	14.00"	13.00"	10.00"	12.00"	18x18x10	ND3 130 LBS	218
CA, DBA	19.00"	16.00"	16.00"	12.00"	12.00"	18x18x10	ND3 130 LBS	218
CR, DBR	23.00"	18.00"	21.00"	13.00"	13.00"	18x18x10	ND3 130 LBS	242
CB, DBB	25.00"	20.00"	24.00"	14.00"	15.00"	18x18x10	ND3 130LBS.	299
CC, DBC	27.00"	22.00"	25.00"	15.00"	17.00"	24x24x10	ND9 150 LBS.	548
CG, DBG	25.00"	20.00"	24.00"	14.00"	15.00"	24x24x10	ND9 150 LBS	748
CP, DBP	25.00"	20.00"	24.00"	14.00"	15.00"	24x24x10	ND9 150 LBS	770
CS, DBS	27.00"	22.00"	25.00"	15.00"	17.00"	24x24x10	ND42 185 LBS	1012

AVAILABLE OPTIONS:

- **PAD MOUNT FIBERGLASS ENCLOSURE WITH PRE-WIRED EXHAUST FAN AND PROVISION FOR LOCKING**
- **SURGE ARRESTOR**
- **208 VAC UNITS AVAILABLE UPON REQUEST**

ARCO Electric Products reserves the right to make product changes without prior notification.

ARCO ELECTRIC PRODUCTS

2325 E. Michigan Road - Shelbyville, IN 46176-3400
 Phone Toll-Free (800) 428-4370, (317) 398-9713 Fax (317) 398-2655

Website: www.arco-electric.com

“We set the standards others strive to meet.”