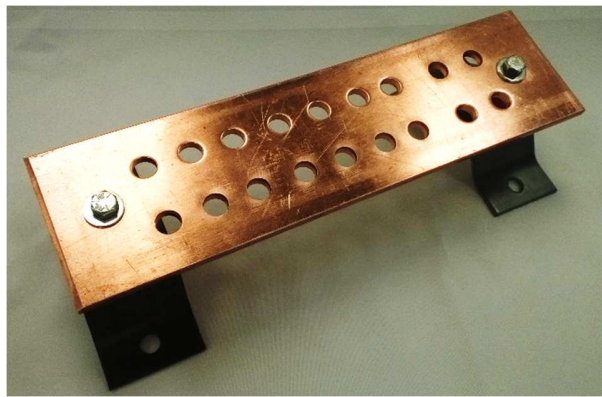


# ARCO

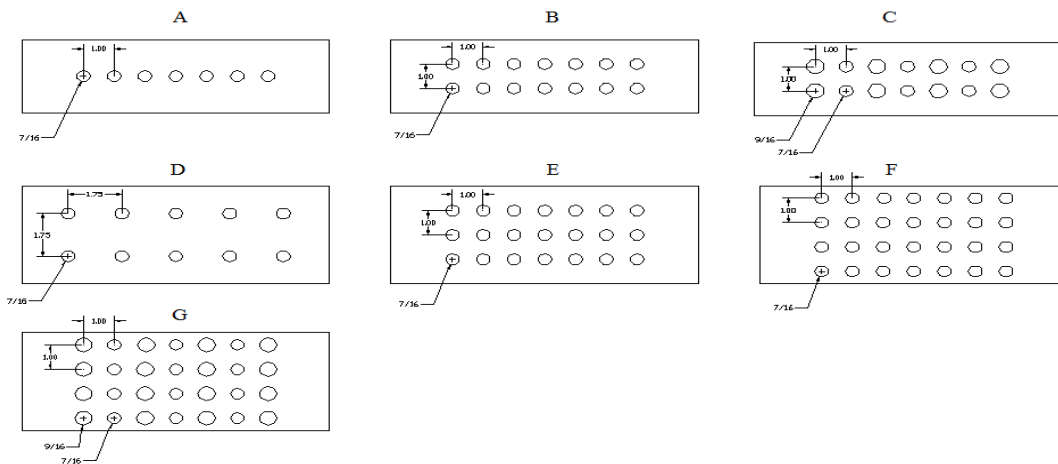
ELECTRIC PRODUCTS

## COPPER SOLUTIONS



Available Dimensions and Hole Patterns

THICKNESS	WIDTH	LENGTH	PATTERNS
1/4	2	12", 16", 24", 30"	A,B,C
1/4	3	12", 16", 24", 30"	A,B,C,D,E
1/4	4	12", 16", 24", 30"	A,B,C,D,E,F,G
1/4	5	12", 16", 24", 30"	A,B,C,D,E,F,G



2325 E. Michigan Road  
800-428-4370

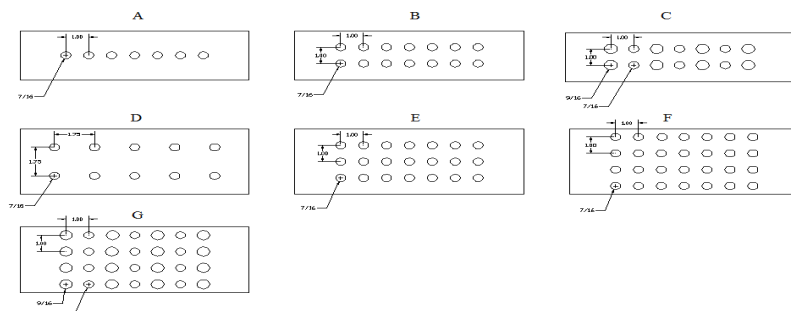
Shelbyville, IN 46176  
ARCO-ELECTRIC.COM

# PART NUMBERS

Complete blank columns to determine part number

DIMENSIONS	PART NUMBER	HOLE PATTERN	KIT (INSERT K)	PART NUMBER
¼"X2"X12"	301619			
¼"X2"X16"	301621			
¼"X2"X20"	301622			
¼"X2"X24"	301623			
¼"X2"X30"	301624			
¼"X3"X12"	301628			
¼"X3"X16"	301629			
¼"X3"X20"	301630			
¼"X3"X24"	301631			
¼"X3"X30"	301632			
¼"X4"X12"	301635			
¼"X4"X16"	301636			
¼"X4"X20"	301637			
¼"X4"X24"	301641			
¼"X4"X30"	301642			
¼"X5"X12"	301645			
¼"X5"X16"	301646			
¼"X5"X20"	301647			
¼"X5"X24"	301648			
¼"X5"X30"	301649			

- To designate hole pattern insert pattern letter at the end of your part number (ex. 301619A).
- For ground bar kit add "K" to the end of your part number.
- Ground bar kits include premium quality copper bar, standoff insulators, and mounting brackets.
- Custom sizes, patterns, and tin plating are available. Please consult factory for more information.



2325 E. Michigan Road  
800-428-4370

Shelbyville, IN 46176  
ARCO-ELECTRIC.COM