

ROTO-PHASE FOR CENTER PIVOT IRRIGATION



STANDARD FEATURES

- HEAVY DUTY CONSTRUCTION
- TEFC ROTARY BASE
- NEMA 3R PANEL
- CONTINUOUS DUTY CYCLE
- EASY INSTALLATION
- 5-YEAR WARRANTY



Center pivot irrigation use has been steadily increasing in the agricultural industry, and the cost in fuel prices have constantly been on the rise. With these changes, the option of running the center pivot system and possible water pump on three-phase electrical power is a more economical choice instead of a gas or diesel generator. The Roto-Phase converter can be a very economical option, because unlike three-phase lines from the utility company, there are no costly installation or demand charges. The use of a phase converter is required in applications where three-phase utility power is not available, and the consumer only has a single-phase power source. The ideal power situation when using a phase converter would be a 460 VAC single-phase power supply, but sometimes a single-phase "step-up" transformer is required when only 240 VAC single-phase is available. The "PV Series" phase converter is constructed using 600 VAC rated capacitors and double-shielded bearings for virtually no maintenance and long-lasting service year after year. Unlike other phase converter manufacturers who recommend using a separate phase converter to run the pivot and another on the pump motor, the Roto-Phase converter allows both the center pivot and pump equipment to be operated from the same phase converter system.

CONSULT THE FACTORY WHEN USING A PHASE CONVERTER TO OPERATE A SUBMERSIBLE PUMP AND PIVOT SYSTEM.

BUILT-IN OPTIONS AVAILABLE FOR ROTO-PHASE

- MAGNETIC STARTER WITH OVERLOADS & HOA SWITCH FOR MANUAL OR AUTOMATIC OPERATION
- FUSED DISCONNECT
- SURGE ARRESTOR

ARCO ELECTRIC PRODUCTS

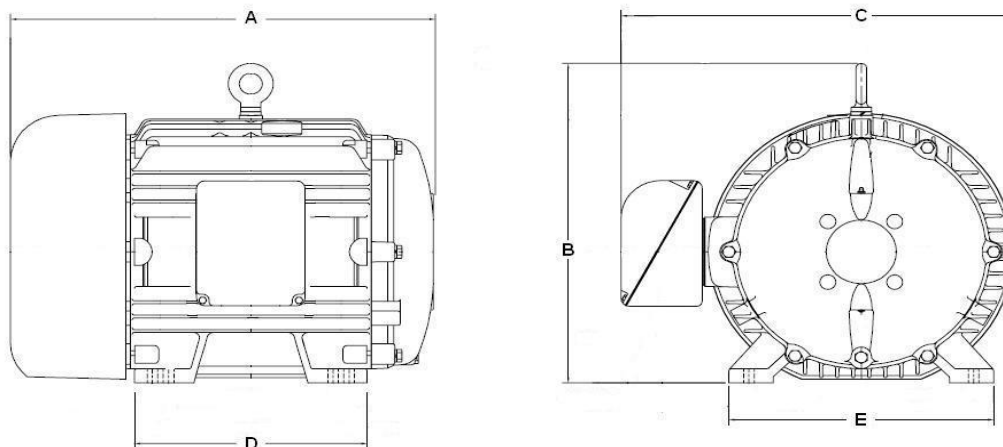
2325 E. Michigan Road - Shelbyville, IN 46176-3400

Phone Toll-Free (800) 428-4370, (317) 398-9713

Fax (317) 398-2655

Website: www.arco-electric.com

"We set the standards others strive to meet."



SPECIFICATIONS

MODEL	A	B	C	D	E	PANEL	AUX BANK	WT
PV0	13.00"	11.00"	10.00"	7.00"	9.00"	10x8x6		92 Lbs.
PV1	16.00"	13.00"	13.00"	8.00"	10.00"	12x10x6		160 Lbs.
PV2	17.00"	14.00"	13.00"	10.00"	12.00"	12x10x6		227 Lbs.
PV3	19.00"	16.00"	16.00"	12.00"	12.00"	12x10x6		262 Lbs.
PV4	23.00"	18.00"	21.00"	13.00"	13.00"	16x12x6		484 Lbs.
PV5	25.00"	20.00"	24.00"	14.00"	15.00"	18x18x10		638 Lbs.
PV6	25.00"	20.00"	24.00"	14.00"	15.00"	18x18x10		674 Lbs.
PV7	27.00"	22.00"	25.00"	15.00"	17.00"	18x18x10		943 Lbs.
PV8*	27.00"	22.00"	25.00"	15.00"	17.00"	18x18x10	8x8x6	956 Lbs.
PV9*	27.00"	22.00"	25.00"	15.00"	17.00"	18x18x10	8x8x6	957 Lbs.

*Includes Separate Auxiliary Capacitor Bank

NOTE: When ordering the phase converter with the magnetic starter control package, you will need to add the Prefix Letter "C" & Suffix Letters "-HOA" to the Model.

With the addition of optional features, the panel size of the phase converter model may change - PLEASE CONSULT FACTORY.

ARCO Electric Products reserves the right to make product changes without prior notification.

ARCO ELECTRIC PRODUCTS

2325 E. Michigan Road - Shelbyville, IN 46176-3400

Phone Toll-Free (800) 428-4370, (317) 398-9713

Fax (317) 398-2655

Website: www.arco-electric.com

"We set the standards others strive to meet."