

# ROTO-PHASE FOR CNC

## THREE PHASE POWER FOR YOUR CNC MACHINE



+ 1 PH POWER =



### STANDARD FEATURES

- VOLTAGE BALANCE "PHASE TO PHASE" WITHIN 2% OR LESS UNDER ALL LOADING CONDITIONS
- HEAVY DUTY CONSTRUCTION
- CONTINUOUS DUTY CYCLE
- ALL UNITS ARE TEFC DESIGNED FOR OUTDOOR INSTALLATION
- 5-YEAR WARRANTY

The "CNC Series" converter was developed in the early 1980's when CNC (Computer Numerical Controlled) equipment began to flood the machinery market. Most standard or heavy-duty phase converters on the market are not capable of providing the variable speed drive motors on the three-phase equipment with the adequate voltage supply required to operate this type of machinery. The CNC series phase converter will provide a stable "phase-to-phase" voltage condition which is between 1-2% under all loading conditions on the three-phase equipment. Unlike our competitors, who use transformers or capacitor switching via manual switches and contactors, the CNC series converter does not depend upon these types of devices which could pose a potential maintenance concern. The CNC series Roto-Phase converter has been field tested and proven reliable for years. It is truly unlike any phase converter on the market because of its capabilities to deliver good starting torque and necessary voltage tolerances of 5% or less to the three-phase equipment load. From precision work on CNC machine tool and EDM equipment to lasers used for eye surgery, the CNC Roto-Phase converter is the most reliable unit on the market. When three-phase power is not available from the utility company or is not economically feasible, then the ARCO Roto-Phase is the best substitute. CNC Roto-Phase models are available from 1 HP to 50 HP sizes. FOR LARGER SIZES PLEASE CONSULT FACTORY

*NOTE: A single-phase "buck & boost" transformer may be required for use in conjunction with the phase converter & three-phase equipment, when the single-phase voltage from the utility company is higher than the voltage tolerance requirements for the three-phase equipment. CONSULT THE FACTORY*

### ARCO ELECTRIC PRODUCTS

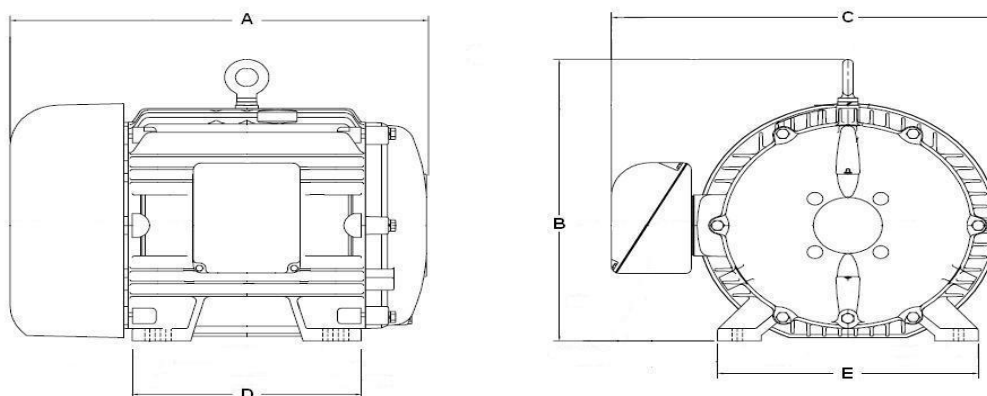
2325 E. Michigan Road - Shelbyville, IN 46176-3400

Phone Toll-Free (800) 428-4370, (317) 398-9713

Fax (317) 398-2655

Website: [www.arco-electric.com](http://www.arco-electric.com)

"We set the standards others strive to meet."



<b>SPECIFICATIONS</b>
-----------------------

MODEL	A	B	C	D	E	PANEL	WT
CNC1	13.00"	11.00"	10.00"	7.00"	9.00"	10x8x6	95 Lbs.
CNC2	16.00"	13.00"	13.00"	8.00"	10.00"	16x12x6	159 Lbs.
CNC3	17.00"	14.00"	13.00"	10.00"	12.00"	16x12x6	239 Lbs.
CNC5	19.00"	16.00"	16.00"	12.00"	12.00"	18x18x10	285 Lbs.
CNC7	23.00"	18.00"	21.00"	13.00"	13.00"	18x18x10	365 Lbs.
CNC10	25.00"	20.00"	24.00"	14.00"	15.00"	18x18x10	448 Lbs.
CNC15	27.00"	22.00"	25.00"	15.00"	17.00"	18x18x10	703 Lbs.
CNC20**	25.00"	20.00"	24.00"	14.00"	15.00"	18x18x10	950 Lbs.
CNC25**	25.00"	20.00"	24.00"	14.00"	15.00"	18x18x10	1318 Lbs.
CNC30**	27.00"	22.00"	25.00"	15.00"	17.00"	18x18x10	1412 Lbs.
CNC40****	25.00"	20.00"	24.00"	14.00"	15.00"	18x18x10	1792 Lbs.
CNC50****	25.00"	20.00"	24.00"	14.00"	15.00"	18x18x10	2636 Lbs.
CNC60****	27.00"	22.00"	25.00"	15.00"	17.00"	18x18x10	2812 Lbs.

(\*\*) Two Units Paralleled

(\*\*\*) Three Units Paralleled

(\*\*\*\*) Four Units Paralleled

### BUILT-IN OPTIONS AVAILABLE FOR ROTO-PHASE

- MAGNETIC STARTER WITH OVERLOAD PROTECTION & HOA SELECTOR SWITCH
- SURGE ARRESTOR

### ARCO ELECTRIC PRODUCTS

2325 E. Michigan Road - Shelbyville, IN 46176-3400

Phone Toll-Free (800) 428-4370, (317) 398-9713

Fax (317) 398-2655

Website: [www.arco-electric.com](http://www.arco-electric.com)

"We set the standards others strive to meet."