

# ROTO-PHASE ELV FOR FREIGHT AND PASSENGER ELEVATORS



## STANDARD FEATURES

- HEAVY DUTY CONSTRUCTION
- INCLUDES CONTROL PANEL COMPLETELY PREWIRED WITH MAGNETIC STARTER, OL PROTECTION, AND HOA SWITCH WHICH CAN BE INTEGRATED WITH ELEVATOR CONTROLS
- ODP OR TEFC ROTARY BASE AVAILABLE
- NEMA 3R PANEL
- CONTINUOUS DUTY CYCLE
- 5-YEAR WARRANTY

The ARCO CHDELV Series Roto-Phase is designed for freight and passenger elevators. This rotary phase converter incorporates an (HOA) Hands/OFF/Automatic selector switch, timers, and controls to integrate with the elevator controls.

Automatic mode operation requires a signal (through a dry set of contacts furnished by end-user) to be sent from the elevator call button to start the Roto-Phase. After a 2 to 3 second delay, a timer from the Roto-phase panel sends a signal to the elevator control to energize the elevator motor. When the Roto-Phase is energized, then a 30-minute adjustable timer is activated. This timer signals the Roto-Phase to shut off after the time has elapsed. If the elevator is called for during this timing period, the timer resets preventing the Roto-Phase from turning off during use.

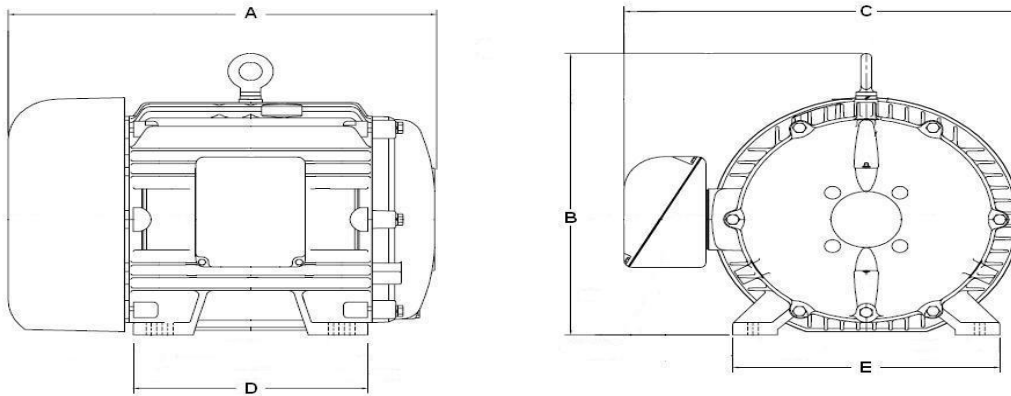
## ARCO ELECTRIC PRODUCTS

2325 E. Michigan Road - Shelbyville, IN 46176-3400

Phone Toll-Free (800) 428-4370, (317) 398-9713 Fax (317) 398-2655

Website: [www.arco-electric.com](http://www.arco-electric.com)

“We set the standards others strive to meet.”



MODEL	A	B	C	D	E	PANEL	AUX BANK	WT
CHDELV2	13.00"	11.00"	10.00"	7.00"	9.00"	30x24x8		115 Lbs.
CHDELV5	17.00"	14.00"	13.00"	10.00"	12.00"	30x24x8		278 Lbs.
CHDELV7	19.00"	16.00"	16.00"	12.00"	12.00"	30x24x8		366 Lbs.
CHDELV10	23.00"	18.00"	21.00"	13.00"	13.00"	30x24x8		445 Lbs.
CHDELV15	25.00"	20.00"	24.00"	14.00"	15.00"	30x24x8		520 Lbs.
CHDELV20	25.00"	20.00"	24.00"	14.00"	15.00"	30x30x12		675 Lbs.
CHDELV25	27.00"	22.00"	25.00"	15.00"	17.00"	30x30x12		749 Lbs.
CHDELV30	27.00"	22.00"	25.00"	15.00"	17.00"	36x24x12	10x10x6	833 Lbs.
CHDELV40	27.00"	22.00"	25.00"	15.00"	17.00"	36x24x12	10x10x6	840 Lbs.

**ARCO ELECTRIC PRODUCTS**

2325 E. Michigan Road - Shelbyville, IN 46176-3400

Phone Toll-Free (800) 428-4370, (317) 398-9713 Fax (317) 398-2655

Website: [www.arco-electric.com](http://www.arco-electric.com)

"We set the standards others strive to meet."