

HEAVY DUTY SERIES ROTO-PHASE II

Roto-Phase Converter



Model	Largest Motor	Max. Recommended HP Capacity
HD2	2	9
HD3	3	12
HD5	5	20
HD7	7.5	30
HD10	10	45
HD15	15	60
HD20	20	75
HD25	25	100
HD30-1	30	100
HD40-1	40	100
HD2P**	50	120
HD2S**	60	150
HD3P***	75	200
HD4P****	100	220

* SPECIFY 208V, 230V, OR 460V

* CONTINUOUS OPERATING DUTY CYCLE

* ALL UNITS ARE TEFC DESIGNED

* 5-YEAR WARRANTY

BUILT-IN CONTROL PACKAGE OPTIONS

*MAGNETIC STARTER WITH OVERLOAD PROTECTION & HOA SWITCH FOR MANUAL OR AUTOMATIC OPERATION

*VOLTAGE REGULATION ON LARGER MODELS IS AVAILABLE

The Heavy-Duty Roto-Phase is designed to start ONE "hard starting" motor based on the phase converter's Largest Motor HP rating plus miscellaneous smaller motor loads equal to or less than the Maximum Recommended HP Capacity. It also handle a start-up load of TWO motors of the same HP rating as the Largest Motor rating of the phase converter if they are sequentially started and operated under light loads. This unit has a greater capacity than any rotary converter made. The reason for the larger horsepower capacity of this unit is due to the increase in physical size. The heavy-duty converters are substantially larger in comparison than our competitor's units which are listed at a heavy-duty rating. This allows the converter the capability of starting motors that are "hard starting" or operating more three phase motor loads.

The Heavy-Duty Series Design can handle the tough jobs such as: CENTRIFUGAL WATER PUMPS, GRAIN DRYERS, FERTILIZER MIXERS, DOUGH MIXERS, REFRIGERATION COMPRESSORS, AIR COMPRESSORS, and RESISTIVE LOADS as well as multiple inductive motor loads. The largest motor horsepower rating is in true horsepower and is not intended to operate mis-rated motors or motor loads. Where TWO motors match the Largest Motor Rating of the phase converter and are "simultaneously" started, then you would need to choose the Roto-Phase Converter model which matches the TOTAL horsepower of the two three-phase motors. When using this series of converter with "high efficiency" motor loads, please consult factory. **CAUTION: FOR FOREIGN MOTOR DESIGNS, 2-SPEED WINDINGS, AND INSTANT-REVERSING APPLICATIONS. CONSULT FACTORY**

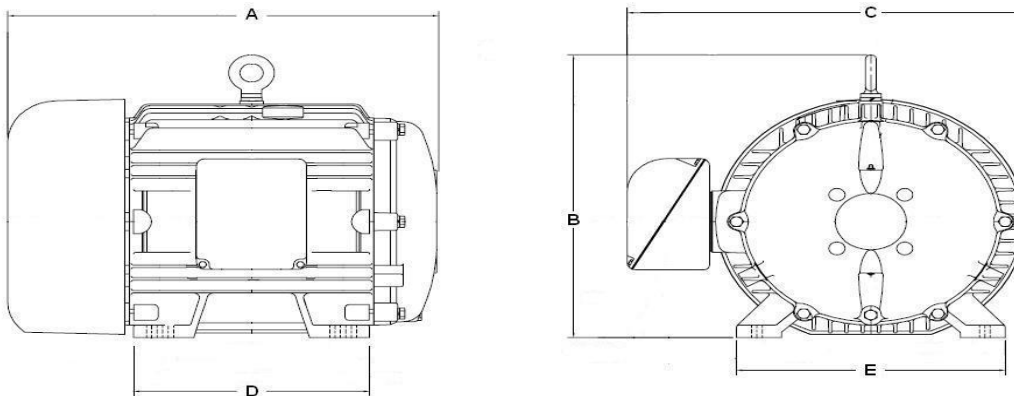
ARCO ELECTRIC PRODUCTS

2325 E. Michigan Road - Shelbyville, IN 46176-3400

Phone Toll-Free (800) 428-4370, (317) 398-9713 Fax (317) 398-2655

Website: www.arco-electric.com

"We set the standards others strive to meet."



SPECIFICATIONS

MODEL	A	B	C	D	E	PANEL	AUX BANK	WT
HD2	13.00"	11.00"	10.00"	7.00"	9.00"	10x8x6		96 Lbs.
HD3	16.00"	13.00"	13.00"	8.00"	10.00"	16x12x6		171 Lbs.
HD5	17.00"	14.00"	13.00"	10.00"	12.00"	16x12x6		222 Lbs.
HD7	19.00"	16.00"	16.00"	12.00"	12.00"	16x12x6		275 Lbs.
HD10	23.00"	18.00"	21.00"	13.00"	13.00"	18x18x10		482 Lbs.
HD15	25.00"	20.00"	24.00"	14.00"	15.00"	18x18x10		643 Lbs.
HD20	25.00"	20.00"	24.00"	14.00"	15.00"	18x18x10		687 Lbs.
HD25	27.00"	22.00"	25.00"	15.00"	17.00"	24x24x10		975 Lbs.
HD30-1	27.00"	22.00"	25.00"	15.00"	17.00"	24x24x10	8x8x6	1009 Lbs.
HD40-1	27.00"	22.00"	25.00"	15.00"	17.00"	24x24x10	10x10x6	1023 Lbs.
HD2P**	25.00"	20.00"	24.00"	14.00"	15.00"	18x18x10		1375 Lbs.
HD2S**	27.00"	22.00"	25.00"	15.00"	17.00"	24x24x10		1982 Lbs.
HD3P***	25.00"	20.00"	24.00"	14.00"	15.00"	18x18x10		2062 Lbs.
HD4P****	25.00"	20.00"	24.00"	14.00"	15.00"	18x18x10		2750 Lbs.

(**) Two Units (***) Three Units (****) Four Units Paralleled (1) Includes Separate Auxiliary Capacitor Bank

NOTE: When ordering the phase converter with the magnetic starter control package, you will need to add the Prefix Letter "C" (Automatic unit with starter, OL protection, and time-delay relay), or Prefix Letter "C/" (Manual unit with starter, OL protection, and push button START/STOP station).

With the addition of optional features, the panel size of the phase converter model may change - Please Consult Factory. *ARCO Electric Products reserves the right to make product changes without prior notification.*

ARCO ELECTRIC PRODUCTS

2325 E. Michigan Road - Shelbyville, IN 46176-3400
 Phone Toll-Free (800) 428-4370, (317) 398-9713 Fax (317) 398-2655

Website: www.arco-electric.com

"We set the standards others strive to meet."