

ROTO-PHASE FOR HOIST & TROLLEY EQUIPMENT



STANDARD FEATURES

- Heavy duty construction designed for 24 Hour continuous operation
- Capable of load testing the hoist motors at 150% of their rated horsepower
- ODP or TEFC design units available
- 5-YEAR WARRANTY

The HDH Series rotary phase converter was developed specifically for hoist and trolley operation. This series of rotary phase converter was engineered to operate this type of three-phase hoist equipment at 100% of its rated nameplate horsepower. On start-up of new equipment, the hoist motor may be load tested at 150% of its nameplate rating. The HDH Series Roto-Phase is capable of allowing the hoist motor to be operated under these extreme test conditions. Models are available in 208, 230, and 460 VAC.

BUILT-IN CONTROL PACKAGE OPTIONS

- *MAGNETIC STARTER WITH OVERLOAD PROTECTION & PB ON/OFF STATION OR A TIME-DELAY RELAY
- *FUSED DISCONNECT SWITCH

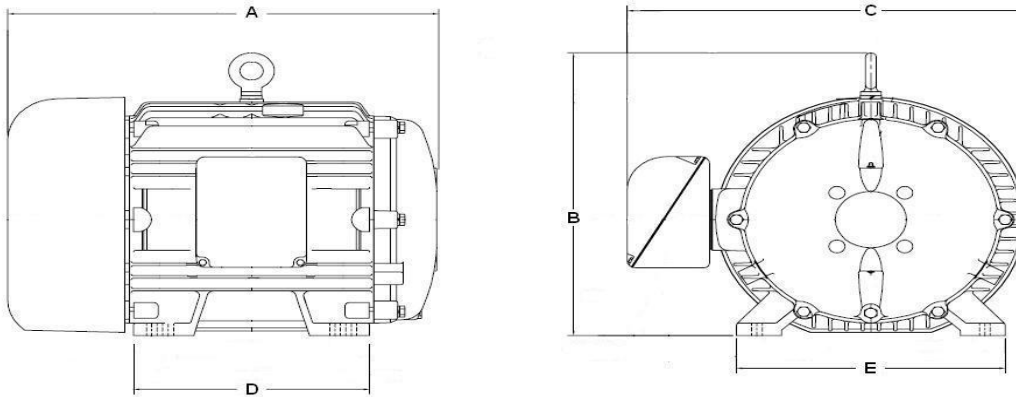
NOTE: When ordering the phase converter with the magnetic starter control package, you will need to add the Prefix Letter "C" (Automatic unit with starter, OL protection, and time-delay relay), or Prefix Letter "C/" (Manual unit with starter, OL protection, and push button START/STOP station).

ARCO ELECTRIC PRODUCTS

2325 E. Michigan Road - Shelbyville, IN 46176-3400
Phone Toll-Free (800) 428-4370, (317) 398-9713 Fax (317) 398-2655

Website: www.arco-electric.com

"We set the standards others strive to meet."



SPECIFICATIONS

MODEL	A	B	C	D	E	PANEL	AUX BANK	WT
HDH1	13.00"	11.00"	10.00"	7.00"	9.00"	10x8x6		100 Lbs.
HDH2	16.00"	13.00"	13.00"	8.00"	10.00"	16x12x6		175 Lbs.
HDH3	17.00"	14.00"	13.00"	10.00"	12.00"	16x12x6		225 Lbs.
HDH5	19.00"	16.00"	16.00"	12.00"	12.00"	16x12x6		300 Lbs.
HDH7	23.00"	18.00"	21.00"	13.00"	13.00"	18x18x10		500 Lbs.
HDH10	25.00"	20.00"	24.00"	14.00"	15.00"	18x18x10		650 Lbs.
HDH15	27.00"	22.00"	25.00"	15.00"	17.00"	24x24x10		1000 Lbs.

With the addition of optional features, the panel size of the phase converter model may change - Please Consult Factory. *ARCO Electric Products reserves the right to make product changes without prior notification.*

ARCO ELECTRIC PRODUCTS

2325 E. Michigan Road - Shelbyville, IN 46176-3400
 Phone Toll-Free (800) 428-4370, (317) 398-9713 Fax (317) 398-2655

Website: www.arco-electric.com

"We set the standards others strive to meet."