

ROTO-PHASE FOR HOIST & TROLLEY EQUIPMENT



STANDARD FEATURES

- Heavy duty construction designed for 24 Hour continuous operation
- Capable of load testing the hoist motors at 150% of their rated horsepower
- All units are TEFC designed for outdoor installation.
- 5-YEAR WARRANTY



The HDH Series Roto-Phase converter was developed specifically for hoist and trolley operation. This series of Roto-Phase converter was engineered to operate this type of three-phase hoist equipment at 100% of its rated nameplate horsepower. On start-up of new equipment, the hoist motor may be load tested at 150% of its nameplate rating. The HDH Series Roto-Phase allows the hoist motor to be operated under these extreme test conditions. Models are available in 208, 230, and 460 VAC.

BUILT-IN CONTROL PACKAGE OPTIONS

- MAGNETIC STARTER WITH OVERLOAD PROTECTION & HOA SELECTOR SWITCH FOR MANUAL OR AUTOMATIC OPERATION
- SURGE PROTECTION

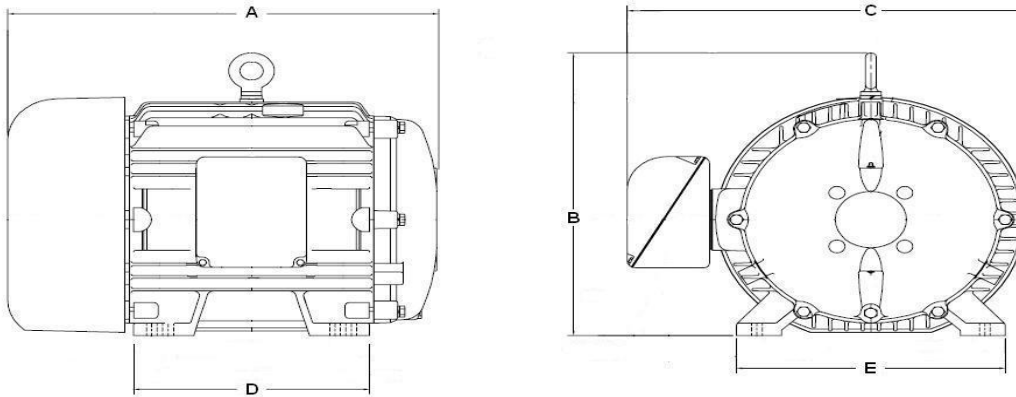
NOTE: When ordering the phase converter with the magnetic starter control package, you will need to add the Prefix Letter "C" (Automatic unit with starter, OL protection, and HOA Selector Switch),

ARCO ELECTRIC PRODUCTS

2325 E. Michigan Road - Shelbyville, IN 46176-3400
Phone Toll-Free (800) 428-4370, (317) 398-9713 Fax (317) 398-2655

Website: www.arco-electric.com

"We set the standards others strive to meet."



SPECIFICATIONS

MODEL	A	B	C	D	E	PANEL	WT
HDH1	13.00"	11.00"	10.00"	7.00"	9.00"	10x8x6	100 Lbs.
HDH2	16.00"	13.00"	13.00"	8.00"	10.00"	16x12x6	175 Lbs.
HDH3	17.00"	14.00"	13.00"	10.00"	12.00"	16x12x6	225 Lbs.
HDH5	19.00"	16.00"	16.00"	12.00"	12.00"	16x12x6	300 Lbs.
HDH7	23.00"	18.00"	21.00"	13.00"	13.00"	18x18x10	500 Lbs.
HDH10	25.00"	20.00"	24.00"	14.00"	15.00"	18x18x10	650 Lbs.
HDH15	27.00"	22.00"	25.00"	15.00"	17.00"	24x24x10	1000 Lbs.
HDH17.5	27.00"	22.00"	25.00"	15.00"	17.00"	30x24x10	1050 Lbs.

With the addition of optional features, the panel size of the phase converter model may change - Please Consult Factory. *ARCO Electric Products reserves the right to make product changes without prior notification.*

ARCO ELECTRIC PRODUCTS

2325 E. Michigan Road - Shelbyville, IN 46176-3400
 Phone Toll-Free (800) 428-4370, (317) 398-9713 Fax (317) 398-2655

Website: www.arco-electric.com

"We set the standards others strive to meet."