

STANDARD DUTY ROTO-PHASE I



STANDARD FEATURES

- HEAVY DUTY CONSTRUCTION
- ALL UNITS ARE TEFC DESIGNED FOR OUTDOOR INSTALLATION
- CONTINUOUS DUTY CYCLE
- EASY INSTALLATION
- 5-YEAR WARRANTY



	Largest	Ave. Max. Operated HP Capacity
Model	Motor	
MF	1	3
MG	1.5	5
M	3	7
A	5	12
R	7.5	17
B	10	25
C	15	40
G	20	50
P	25	65
PKT	30	70
PKO	40	70
K2G	50	100
Y2P	60	110
L2S	75	125
W3P	100	150

The Standard Duty Roto-Phase is designed to operate multiple motors simultaneously with ONE three-phase motor equal to the largest motor rating of the phase converter, and the remaining three-phase motor loads are smaller in horsepower rating for a combined operated load equal or less than the Recommended Horsepower Capacity of the phase converter. The Standard Duty Series design is the industry leader for its quality, performance, and dependability in providing economical three-phase power. The Roto-Phase I units are built from a larger rotary frame design than most converter manufacturers; therefore, delivering a superior three-phase converter system. All models are rated in horsepower rather than KVA, and they list the specific ratings of the phase converter (LARGEST MOTOR HP & TOTAL HP CAPACITY). The largest motor horsepower rating is in true horsepower, and it is not intended to operate mis-rated motor or motor loads. If the largest motor horsepower rating is starting or running in continuous overload or has a low power factor rating, then the next larger Roto-Phase I Standard Duty or Roto-Phase II Heavy Duty may be required. When two motors match the largest motor rating of the phase converter, a larger Roto-Phase converter is usually required...CONSULT FACTORY.

CAUTION: FOR FOREIGN MOTOR DESIGNS, 2-SPEED WINDINGS, AND INSTANT-REVERSING APPLICATION CONSULT FACTORY FOR SIZING

BUILT-IN OPTIONS AVAILABLE FOR ROTO-PHASE

- **MAGNETIC STARTER WITH OVERLOAD PROTECTION & HOA SELECTOR SWITCH FOR MANUAL OR AUTOMATIC OPERATION**
- **SURGE ARRESTOR**
- **VOLTAGE REGULATION FOR SMALL MOTOR LOAD OPERATION**

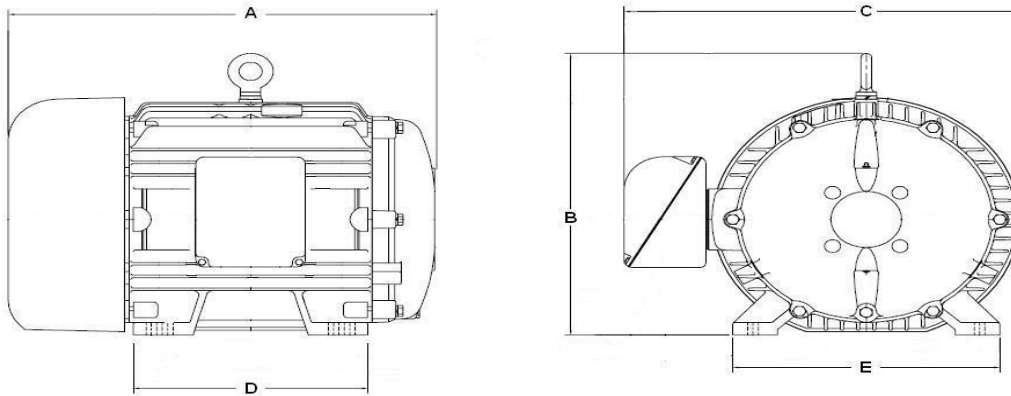
ARCO ELECTRIC PRODUCTS

2325 E. Michigan Road - Shelbyville, IN 46176-3400

Phone Toll-Free (800) 428-4370, (317) 398-9713 Fax (317) 398-2655

Website: www.arco-electric.com

"We set the standards others strive to meet."



SPECIFICATIONS

MODEL	A	B	C	D	E	PANEL	AUX BANK	WT
MF	12.00"	11.00"	11.00"	7.00"	9.00"	10x8x6		67 Lbs.
MG	12.00"	11.00"	11.00"	7.00"	9.00"	10x8x6		84 Lbs.
M	13.00"	11.00"	10.00"	7.00"	9.00"	10x8x6		96 Lbs.
A	16.00"	13.00"	13.00"	8.00"	10.00"	16x12x6		171 Lbs.
R	17.00"	14.00"	13.00"	10.00"	12.00"	16x12x6		222 Lbs.
B	19.00"	16.00"	16.00"	12.00"	12.00"	16x12x6		275 Lbs.
C	23.00"	18.00"	21.00"	13.00"	13.00"	18x18x10		482 Lbs.
G	25.00"	20.00"	24.00"	14.00"	15.00"	18x18x10		643 Lbs.
P	25.00"	20.00"	24.00"	14.00"	15.00"	18x18x10		687 Lbs.
PKT	25.00"	20.00"	24.00"	14.00"	15.00"	18x18x10	10x10x6	697 Lbs
PKO	25.00"	20.00"	24.00"	14.00"	15.00"	18x18x10	12x12x8	700 Lbs.
K2G**1	25.00"	20.00"	24.00"	14.00"	15.00"	18x18x10	10x10x6	1296 Lbs.
Y2P**1	25.00"	20.00"	24.00"	14.00"	15.00"	18x18x10	8x8x6	1384 Lbs.
L2S**1	27.00"	22.00"	25.00"	15.00"	17.00"	24x24x10	12x12x8	1975 Lbs.
W3P***1	25.00"	20.00"	24.00"	14.00"	15.00"	18x18x10	18x12x8	2071 Lbs.

(**) Two Units Paralleled

(***) Three Units Paralleled

(1) Includes Separate Auxiliary Capacitor Bank

NOTE: When ordering the phase converter with the magnetic starter control package, you will need to add the Prefix Letter "C" (Automatic unit with starter, OL protection, and time-delay relay), or Prefix Letter "C/" (Manual unit with starter, OL protection, and push button START/STOP station).

With the addition of optional features, the panel size of the phase converter model may change - Please Consult Factory.

ARCO Electric Products reserves the right to make product changes without prior notification.

ARCO ELECTRIC PRODUCTS

2325 E. Michigan Road - Shelbyville, IN 46176-3400

Phone Toll-Free (800) 428-4370, (317) 398-9713 Fax (317) 398-2655

Website: www.arco-electric.com

"We set the standards others strive to meet."