

ROTO-PHASE FOR SUBMERSIBLE PUMPS



- **HEAVY DUTY CONSTRUCTION**
- **CONTINUOUS OPERATING DUTY CYCLE**
- **SPECIFY 230 VAC OR 460 VAC**
- **ODP OR TEFC DESIGN UNITS AVAILABLE**
- **5-YEAR WARRANTY**

Three-phase submersible pump motors require closely balanced amperage and voltage during operation in order to avoid loss of pump warranty. In order to obtain this performance when three-phase utility power is not available or practical, then the "SP Series" Roto-Phase converter is the way to go. By working directly with the pump motor manufacturer, this series of rotary phase converters was specifically designed on the information and performance data established through exhaustive testing using a submersible pump manufactured by Franklin Electric in Bluffton, Indiana. The SP Series uses no relays, tapped windings, or capacitor adjustments to obtain the balanced voltage and amperage conditions during the operation of the submersible pump motor.

BUILT-IN CONTROL PACKAGE OPTIONS AVAILABLE

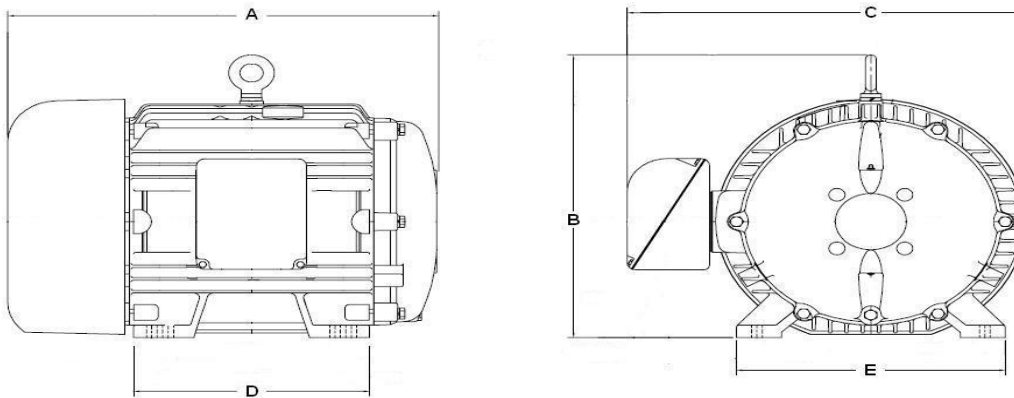
- **MAGNETIC STARTER WITH OVERLOAD PROTECTION & PB ON/OFF STATION FOR MANUAL START-UP (ADD PREFIX LETTER "C/" TO MODEL NUMBER) OR A TIME-DELAY RELAY AUTOMATIC START-UP (ADD PREFIX LETTER "C" TO MODEL NUMBER)**
- **FUSED DISCONNECT SWITCH**
- **SURGE ARRESTOR**
- **VOLTAGE REGULATION (SMALL MOTOR OPERATION WHEN USED WITH PIVOT SYSTEM)**

ARCO ELECTRIC PRODUCTS

2325 E. Michigan Road - Shelbyville, IN 46176-3400
Phone Toll-Free (800) 428-4370, (317) 398-9713 Fax (317) 398-2655

Website: www.arco-electric.com

"We set the standards others strive to meet."



SPECIFICATIONS

MODEL	A	B	C	D	E	PANEL	AUX BANK	WT
SP2	16.00"	13.00"	13.00"	8.00"	10.00"	16x12x6		171 Lbs.
SP3	16.00"	13.00"	13.00"	8.00"	10.00"	16x12x6		171 Lbs.
SP5	17.00"	14.00"	13.00"	10.00"	12.00"	16x12x6		222 Lbs.
SP7	19.00"	16.00"	16.00"	12.00"	12.00"	16x12x6		275 Lbs.
SP10	23.00"	18.00"	21.00"	13.00"	13.00"	18x18x10		482 Lbs.
SP15	25.00"	20.00"	24.00"	14.00"	15.00"	18x18x10		687 Lbs.
SP20	27.00"	22.00"	25.00"	15.00"	17.00"	24x24x10		975 Lbs.
SP25**	25.00"	20.00"	24.00"	14.00"	15.00"	18x18x10		1286 Lbs.
SP30**	25.00"	20.00"	24.00"	14.00"	15.00"	18x18x10		1374 Lbs.
SP40**	27.00"	22.00"	25.00"	15.00"	17.00"	24x24x10		1950 Lbs.
SP50***	25.00"	20.00"	24.00"	14.00"	15.00"	18x18x10		2061 Lbs.
SP60***	27.00"	22.00"	25.00"	15.00"	17.00"	24x24x10		2925 Lbs.

(**) Two Units (***) Three Units

With the addition of optional features, the panel size of the phase converter model may change - Please Consult Factory.

ARCO Electric Products reserves the right to make product changes without prior notification.

ARCO ELECTRIC PRODUCTS

2325 E. Michigan Road - Shelbyville, IN 46176-3400
 Phone Toll-Free (800) 428-4370, (317) 398-9713 Fax (317) 398-2655

Website: www.arco-electric.com

“We set the standards others strive to meet.”