

ROTO-PHASE FOR AM/FM RADIO & TV TRANSMITTER EQUIPMENT



STANDARD FEATURES

- Balanced voltage tolerance and unbalance within 5% or less under all loading conditions
- Heavy duty designed for 24 Hour continuous operation
- Built-in surge protection to prevent damage from lightning strikes or power surges in the utility lines
- All units are TEFC designed for outdoor installation.
- 5-YEAR WARRANTY



The TM Series Roto-Phase converter is engineered to operate three-phase radio and television transmitter equipment from a single-phase power supply. The major problem with establishing a transmitter site isn't in finding a good location that is affordable, but it is finding a site with the proper power supply to operate the equipment load. Most locations would have single-phase power available at the location site, but not the commercial three-phase power needed to operate the transmitter equipment. The advantage to using three-phase transmitter equipment is because it operates better than the single-phase equipment. The rectified output of a three-phase transmitter has less of a ripple than the single-phase transmitter and requires less filtering to produce a clean output.

If the availability of the three-phase power does not exist or it is not economically feasible, then the TM Series Roto-Phase converter could be the solution to your problem. The TM Series Roto-Phase converter opens the door for locations to operate transmitter equipment from 5 KW and larger which require a three-phase power input. Models are available in 208V, 230V, and 460V.

BUILT-IN CONTROL PACKAGE OPTIONS

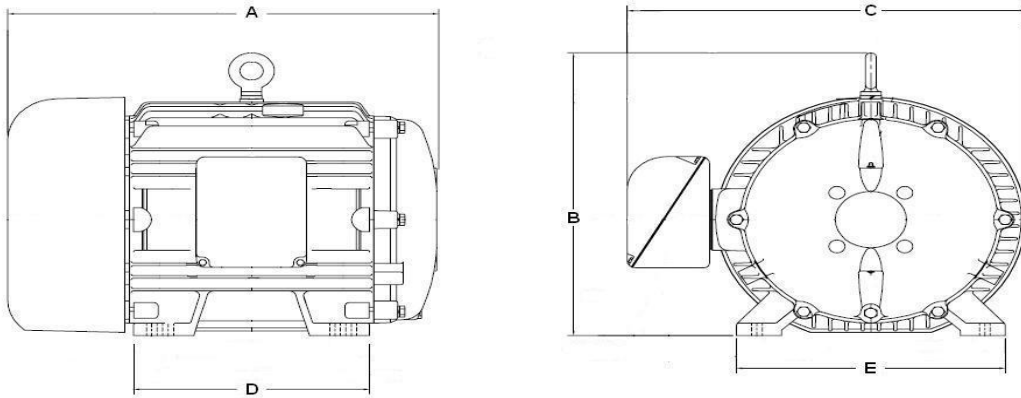
*MAGNETIC STARTER WITH OVERLOAD PROTECTION & HOA SELECTOR SWITCH FOR MANUAL OR AUTOMATIC OPERATION

ARCO ELECTRIC PRODUCTS

2325 E. Michigan Road - Shelbyville, IN 46176-3400
Phone Toll-Free (800) 428-4370, (317) 398-9713 Fax (317) 398-2655

Website: www.arco-electric.com

"We set the standards others strive to meet."



SPECIFICATIONS

MODEL	A	B	C	D	E	PANEL	WT
TM5	17.00"	14.00"	13.00"	10.00"	12.00"	16x12x6	171 Lbs.
TM7	19.00"	16.00"	16.00"	12.00"	12.00"	16x12x6	275 Lbs.
TM10	23.00"	18.00"	21.00"	13.00"	13.00"	18x18x10	482 Lbs.
TM15	25.00"	20.00"	24.00"	14.00"	15.00"	18x18x10	687 Lbs.
TM20	27.00"	22.00"	25.00"	15.00"	17.00"	24x24x10	975 Lbs.
TM25**	25.00"	20.00"	24.00"	14.00"	15.00"	18x18x10	1286 Lbs.
TM30**	25.00"	20.00"	24.00"	14.00"	15.00"	18x18x10	1375 Lbs.
TM40**	27.00"	22.00"	25.00"	15.00"	17.00"	24x24x10	1975 Lbs.
TM45***	25.00"	20.00"	24.00"	14.00"	15.00"	24x24x10	2061 Lbs.

(**) Two Units Paralleled

NOTE: When ordering the phase converter with the magnetic starter control package, you will need to add the Prefix Letter "C" (Automatic unit with starter, OL protection, and time-delay relay), or Prefix Letter "C" (Manual unit with starter, OL protection, and push button START/STOP station).

With the addition of optional features, the panel size of the phase converter model may change - Please Consult Factory. *ARCO Electric Products reserves the right to make product changes without prior notification.*

ARCO ELECTRIC PRODUCTS

2325 E. Michigan Road - Shelbyville, IN 46176-3400
 Phone Toll-Free (800) 428-4370, (317) 398-9713 Fax (317) 398-2655

Website: www.arco-electric.com

"We set the standards others strive to meet."